

# TENSION LOAD CELL MODEL : LTK

## SPECIAL FEATURES :

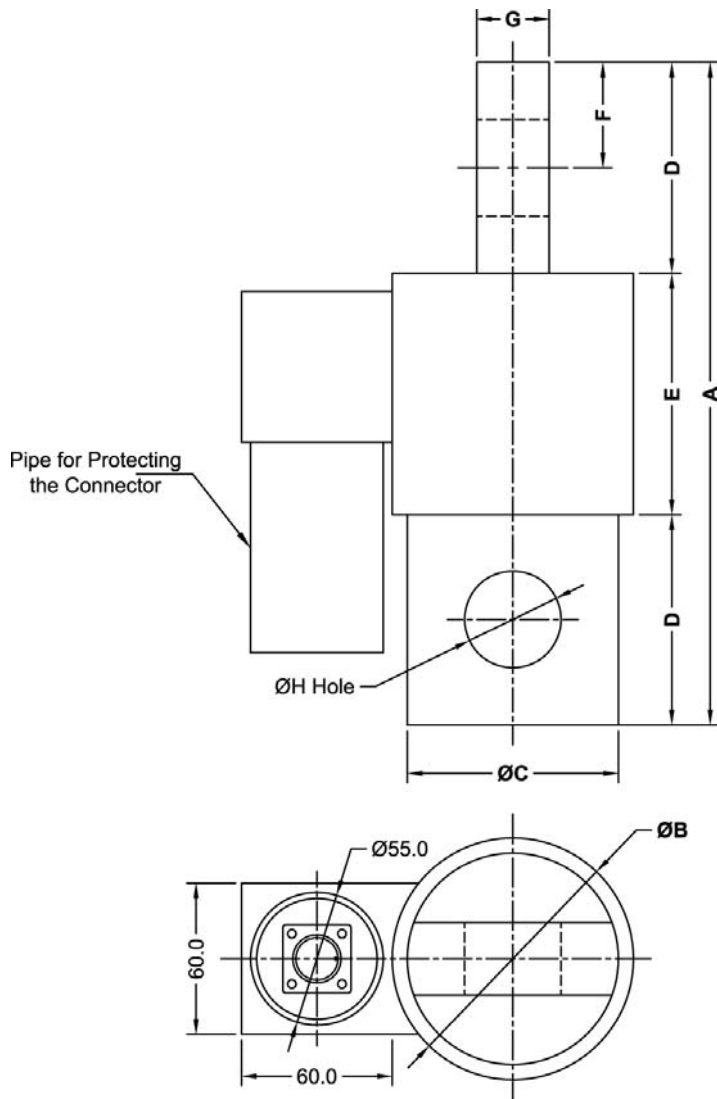
- HIGH ACCURACY
- GOOD RELIABILITY
- ULTRA – PRECISION
- EXCELLENT LINEARITY
- WIDE RANGE
- EASILY INSTALLED
- HIGH REPEATABILITY
- ROBUST BODY



## SPECIFICATIONS

MODEL	:	<b>LTK-23 (C2), 33 (C2), 53 (C2), 14 (C2), 153 (C2), LTK-24 (C2), 44 (C2), 54 (C2), 64 (C2), 15 (C2).</b>
Rated Load Capacity	:	0 – 2, 3, 5, 10, 15, 20, 40, 50, 60, 100 TONNE.
Rated Output Sensitivity	:	1 mV/V $\pm$ 0.5%.
Input Resistance	:	350 $\pm$ 10 Ohms.
Output Resistance	:	350 $\pm$ 5 Ohms.
Insulation Resistance	:	> 1000 Mega Ohms.
Humidity Rating	:	MAX 95% RH.
Excitation Voltage	:	10 to 15 Volts DC/AC (RMS).
Non Linearity	:	$\pm$ 0.1 % of Rated Output.
Hysteresis	:	$\pm$ 0.1 % of Rated Output.
Creep	:	$\pm$ 0.1 % of Rated Output.
Non Repeatability	:	$\pm$ 0.1 % of Rated Output.
Zero Balance	:	$\pm$ 5 % of Rated Output.
Operatable Temperature Range	:	- 20°C to 65° C.
Compensated Temperature Range	:	0° C to 55° C.
Temperature Effect on Zero	:	0.01 % of Rated Output/°C.
Temperature Effect on Output	:	0.01 % of Rated Output/°C.
Over Load Rating, Safe	:	150 % of Rated Capacity.
Over Load Rating (Ultimate)	:	200 % of Rated Capacity.
Maximum Side Load Allowed	:	1 % of Rated Capacity.

**Dimensions :**



CAPACITY	A	ØB	ØC	D	E	F	G	ØH
2, 3, 5 Tonne	210.0	Ø75.0	Ø65.0	65.0	80.0	32.5	28.0	Ø35.0
10, 15 Tonne	280.0	Ø75.0	Ø65.0	100.0	80.0	50.0	30.0	Ø40.0
20, 25 Tonne	320.0	Ø97.0	Ø85.0	120.0	80.0	60.0	50.0	Ø55.0
30, 40 Tonne	360.0	Ø122.0	Ø110.0	140.0	80.0	70.0	60.0	Ø66.0
50, 60 Tonne	400.0	Ø166.0	Ø150.0	155.0	90.0	77.5	75.0	Ø75.0
100 Tonne	410.0	Ø176.0	Ø160.0	160.0	90.0	80.0	80.0	Ø80.0

Please Communicate to :

**EPOCH**

**Instruments & Controls Pvt. Ltd.**

**Office** : MIG 132, 2<sup>nd</sup> Stage, 80 Feet Road, K.H.B. Colony, Basaveshwarnagar, Bangalore – 560 079.

☎ : 080 – 2348 1364, 6576 1259. ☎ : 080 – 2328 3728. E-mail : epochic@dataone.in.

**Factory** : No. 16, Bhadrappa Este, 54, Magadi Main Road, Kamakshipalya, Bangalore – 560 079.

☎ : 080 – 2328 7998. E-mail : epochinstruments@yahoo.com, Web : www.epoch-india.com.

**Branch** : No. 409, Kemp Plaza, B-Wing, Opp. Mind Space, Chincholi Bunder, Malad (West), Mumbai – 400 064.

☎ : 022 – 4003 0704, 4003 0705, 4003 0706. ☎ : 022 – 4003 0707. E-mail : synapsis@vsnl.com.