

WEB TENSION LOAD CELL

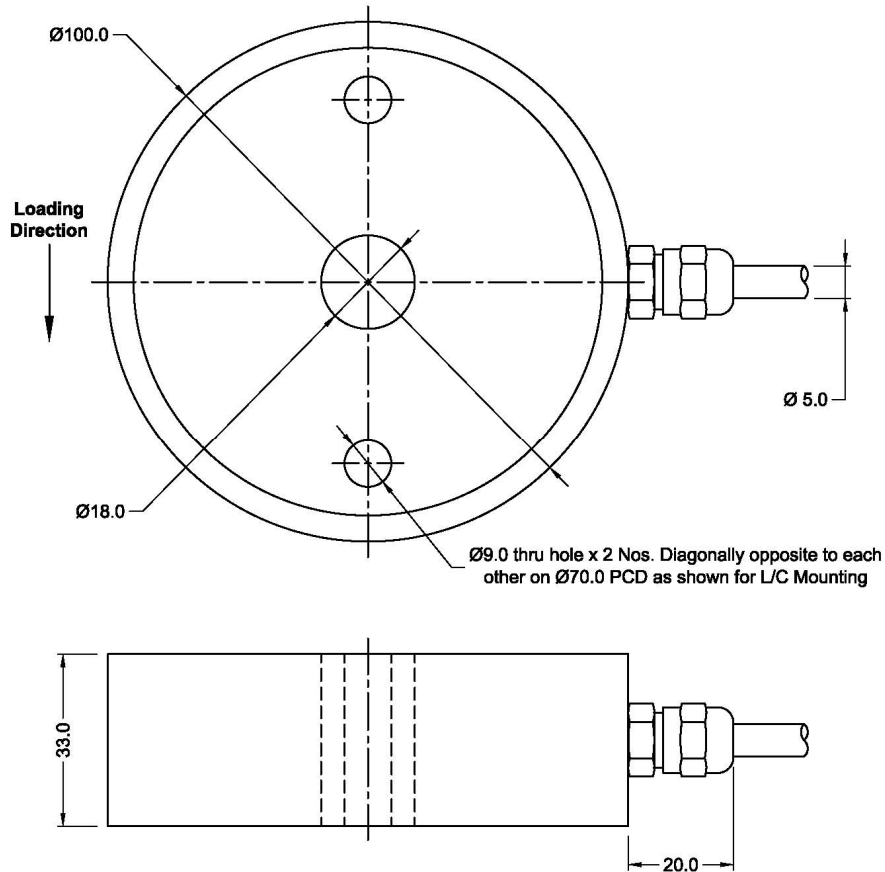
SPECIAL FEATURES

- ✘ *Easy to Install*
- ✘ *Good Reliability*
- ✘ *Temperature Compensated*



SPECIFICATION

Model	:	LWT - 11, 21, 51, 12.
Rated Load Capacity	:	10, 20, 50, 100 Kgs.
Rated Output Sensitivity	:	1 mV/V \pm 0.25 %.
Input Resistance	:	350 \pm 10 Ohms.
Output Resistance	:	350 \pm 3 Ohms.
Excitation Voltage	:	10 to 12 Volts DC/AC (RMS).
Non Linearity	:	\pm 0.50 % of Rated Output.
Hysteresis	:	\pm 0.50 % of Rated Output.
Non Repeatability	:	\pm 0.10 % of Rated Output.
Zero Balance	:	2 % of Rated Output.
Operatable Temperature Range	:	0°C to 65° C.
Storage Temperature Range	:	- 20° C to 85° C.
Temperature Effect on Zero	:	0.005 % of Rated Output/°C.
Temperature Effect on Output	:	0.010 % of Rated Output/°C.
Over Load Rating, Safe	:	150 % of Rated Capacity.
Over Load Rating (Ultimate)	:	200 % of Rated Capacity.

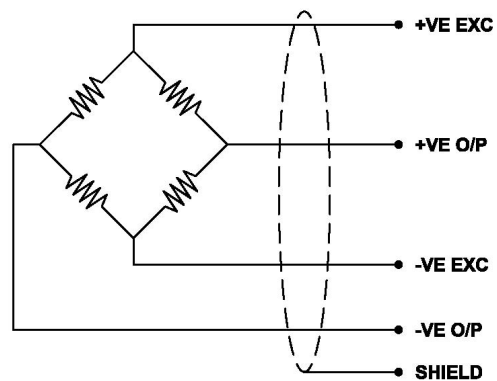


NOTE : The Roller Shaft Dia should be 17.0 mm bearing fit to suit ID of **SKF - 6203** Bearing

CONNECTION DETAILS

COLOUR	CONNECTION
RED	+ VE EXCITATION
WHITE	+ VE OUTPUT
BLACK	- VE EXCITATION
GREEN	- VE OUTPUT
BROWN	SHIELD

ELECTRICAL INFORMATION



Please Communicate to :

EPOCH

Instruments & Controls Pvt. Ltd.

Office : MIG 132, 2nd Stage, 80 Feet Road, K.H.B. Colony, Basaveshwaranagar, Bangalore - 560 079.

☎ : 080 - 2348 1364, 6576 1259. ☎ : 080 - 2328 3728. E-mail : epochic@dataone.in

Factory: C - 60, NGEF Industrial Estate, Mahadevapura (PO), Bangalore - 560 048. ☎ : 080 - 2847 6347.

Branch : 403, Kemp Plaza, B-Wing, Opp. Mind Space, Chincholi Bunder, Malad (West), Mumbai - 400 064.

☎ : 022 - 4003 0704, 4003 0705, 4003 0706. ☎ : 022 - 4003 0707. E-mail : synapsis@vsnl.com