

EPOCH

SHEAR WEB LOAD CELL

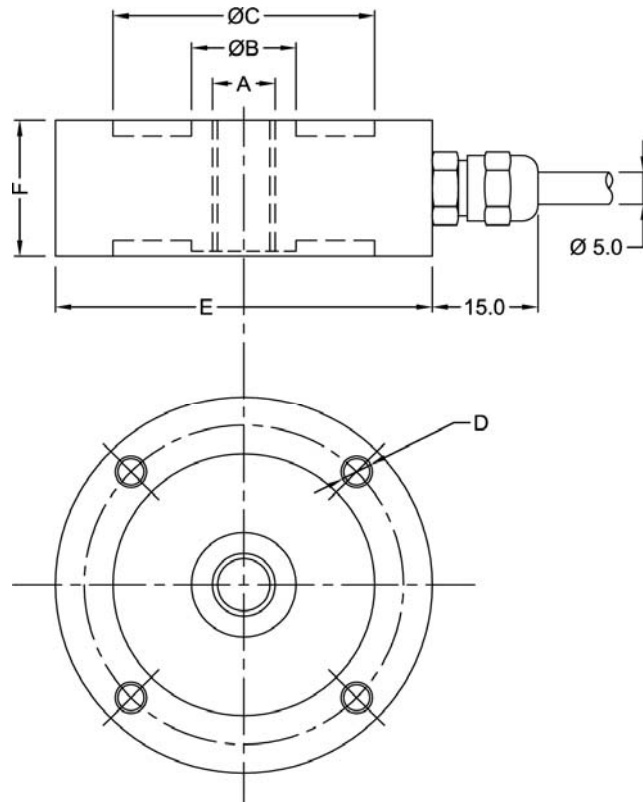
SPECIAL FEATURES

- ✎ Good Linearity*
- ✎ Good Repeatability*
- ✎ Easy to Install*
- ✎ Temp Compensated*
- ✎ Wide Range*
- ✎ Good Reliability*

SPECIFICATIONS

MODEL	:	LSE – 23 (H2), 53 (H2), 14 (H2), 153 (H2), 24 (H2), 34 (H2).
Rated Load Capacity	:	2, 5, 10, 15, 20, 30 TONNE.
Rated Output Sensitivity	:	2 mV/V \pm 0.3%.
Input Resistance	:	700 \pm 10 Ohms.
Output Resistance	:	700 \pm 5 Ohms.
Excitation Voltage	:	10 to 15 Volts DC/AC (RMS).
Non Linearity	:	\pm 0.2% of Rated Output.
Hysteresis	:	0.2 % of Rated Output.
Creep	:	0.1 % of Rated Output.
Non Repeatability	:	\pm 0.05% of Rated Output.
Zero Balance	:	2% of Rated Output.
Operatable Temperature Range	:	- 20°C to 65° C.
Compensated Temperature Range	:	0° C to 55° C.
Temperature Effect on Zero	:	0.005% of Rated Output/°C.
Temperature Effect on Output	:	0.005% of Rated Output/°C.
Over Load Rating, Safe	:	150% of Rated Capacity.
Over Load Rating (Ultimate)	:	200% of Rated Capacity.

Dimensions :-

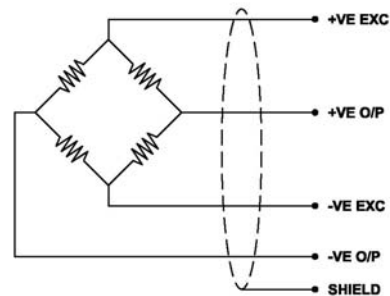


CAPACITY	A	B	C	D	E	F
2 Tonne	M12 x 1.75P	Ø 20.0	Ø 54.0	M6 x 1P x 10 Deep on 63.0 PCD	Ø 72.0	26.0
5 Tonne	M24 x 2P	Ø 34.0	Ø 68.0	M12 x 1.75P x 20 Deep on 82.0 PCD	Ø 100.0	30.0
10 Tonne	M30 x 2P	Ø 42.0	Ø 78.0	M16 x 2P x 25 Deep on 98.0 PCD	Ø 120.0	40.0
15, 20 & 30 Tonne	M45 x 3P	Ø 68.0	Ø 106.0	M24 x 3P x 35 Deep on 134.0 PCD	Ø 165.0	55.0

CONNECTION DETAILS

INPUT	OUTPUT
RED + VE	WHITE + VE
BLACK - VE	GREEN - VE

ELECTRICAL INFORMATION



Please Communicate to :

EPOCH

Instruments & Controls Pvt. Ltd.

Office : MIG 132, 2nd Stage, 80 Feet Road, K.H.B. Colony, Basaveshwarnagar, Bangalore – 560 079.

☎ : 080 – 2348 1364, 6576 1259. ☎ : 080 – 2328 3728. E-mail : epochic@dataone.in.

Factory : No. 16, Bhadrappa Este, 54, Magadi Main Road, Kamakshipalya, Bangalore – 560 079.

☎ : 080 – 2328 7998. E-mail : epochinstruments@yahoo.com, Web : www.epoch-india.com.

Branch : 409, Kemp Plaza, B-Wing, Opp. Mind Space, Chincholi Bunder, Malad (West), Mumbai – 400 064.

☎ : 022 – 4003 0704, 4003 0705, 4003 0706. ☎ : 022 – 4003 0707. E-mail : synapsis@vsnl.com.